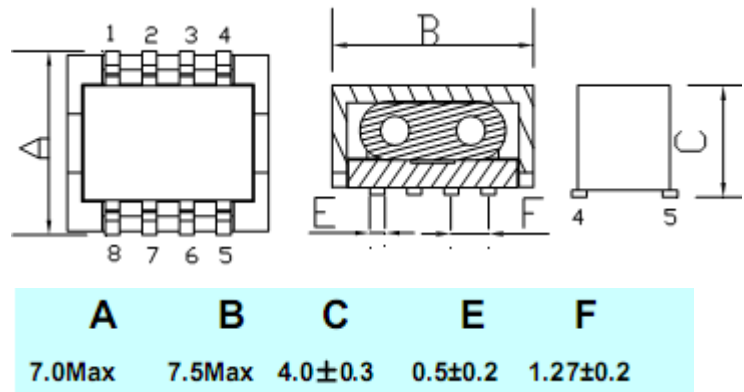


**EXTERNAL DIMENSIONS (Unit:m/m)**



Part Number	Insertion Loss(HP-8714C)			
	50MHz	100MHz	300MHz	500MHz
SB0604RTL-015	0.9dB ± 0.5dB	2.6dB ± 1.0dB	5.4dB ± 2.0dB	7.0dB ± 2.0dB
SB0604RTL-025	1.3dB ± 1.0dB	5.0dB ± 2.0dB	10.0dB ± 3.0dB	12.0dB ± 3.0Db
SB0604RTL-035	3.0dB ± 1.0dB	9.0dB ± 2.0dB	15.0dB ± 3.0dB	17.0dB ± 3.0dB
SB0604RTL-045	6.5dB ± 2.0dB	12dB ± 1.0dB	18dB ± 1.0dB	19dB ± 1.0dB

Part Number	Impedance		Rated Voltage	Wistanding Voltage	Insulation Resistance
	I DC (Max)	R DC (Max)			
SB0604RTL-015	0.50A	0.08Ω	88 Ω @ 100MHz 176Ω @ 400MHz	AC150V/ 2Ma/1min	DC100V 10MΩ Min
SB0604RTL-025	0.50A	0.09Ω	180Ω @ 100MH z 420Ω @ 400MH z	DC 80V	AT WINDING TO WINDING
SB0604RTL-035	0.50A	0.10Ω	340Ω @ 100MHz 740Ω @ 400MHz		AT WINDING TO WINDING
SB0604RTL-045	0.50A	0.12Ω	556 Ω @ 100MHz 860 Ω @ 400MH z		

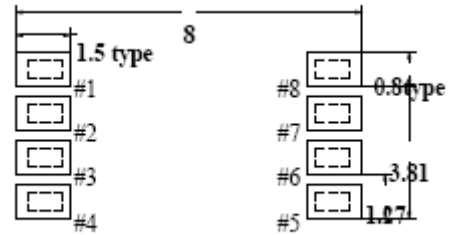
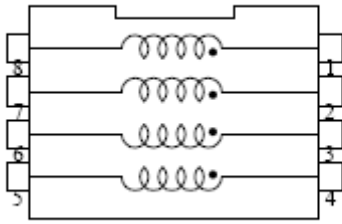
**Features:**

- Low profile: 4.3mm(Max).
- Common mode impedance of 88~556Ω at 100MHz ,176~860Ω at 400MHz.
- Operating temperature Range: -25°C ~ +85°C.
- Suitable for reflow soldering.

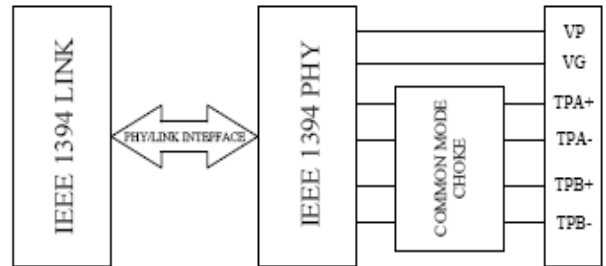
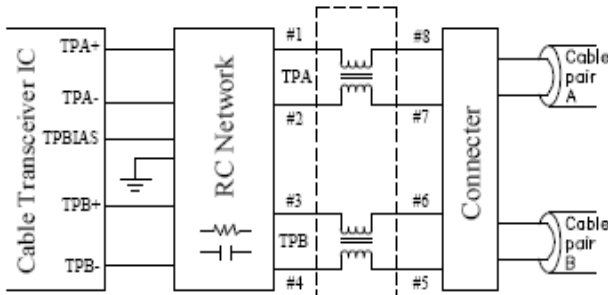
**Applications:**

SB0604 Series is a dual wound common mode choke w/c is ideal for NOISE ATTENUATION in a twisted pair cable interfaces as well as IEEE1394 & USB2.0 applications. An excellent impedance balance between two sets of twisted pairs is achieved by winding across a single core . One SB0604T common mode choke coil per interface port is possible with this dual winding configurations.

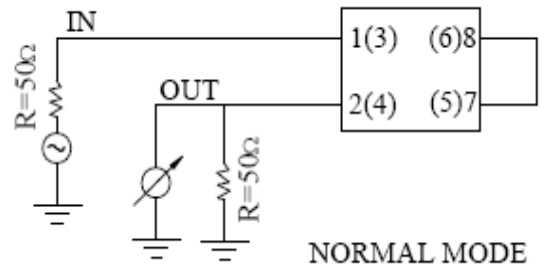
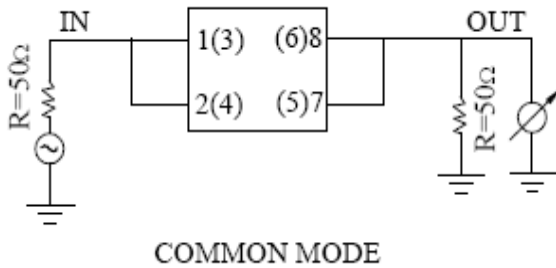
**Circuit(Top View)&PAD:**



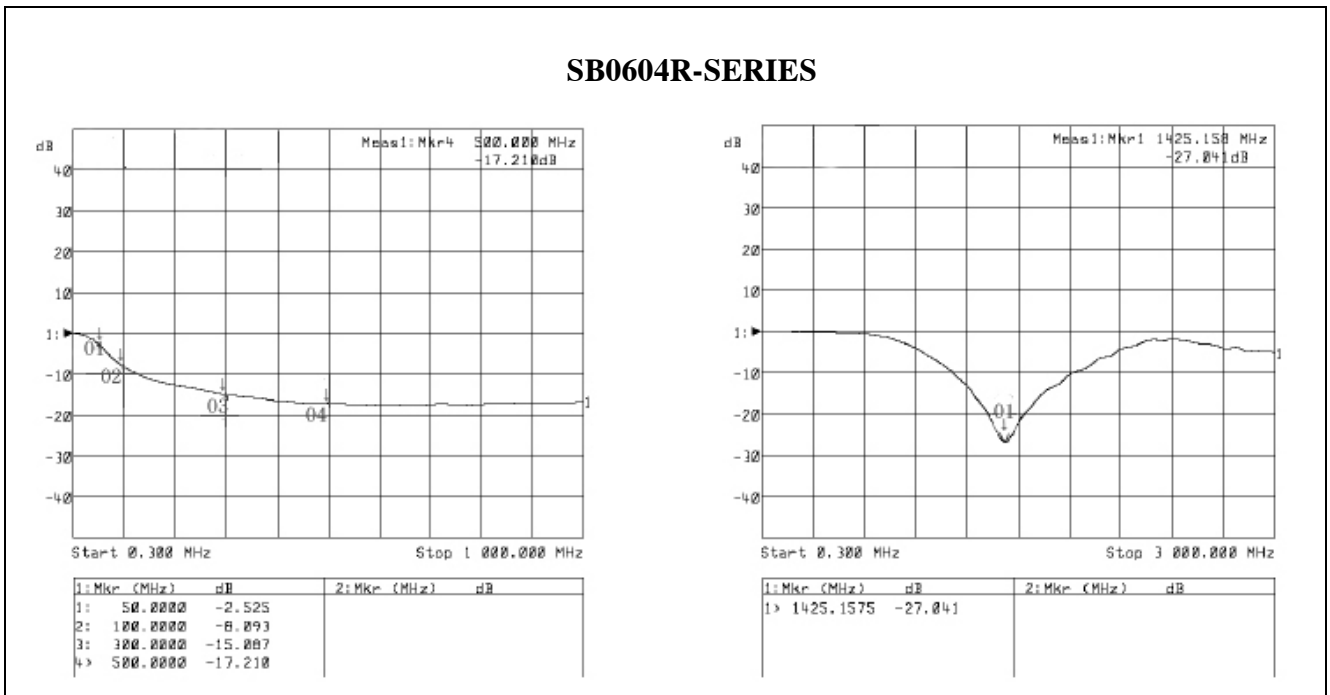
**Twisted Cable Interface&IEEE 1394 Port:**



**Test Mode:**



**Insertion Loss:**



|Z|-F:

