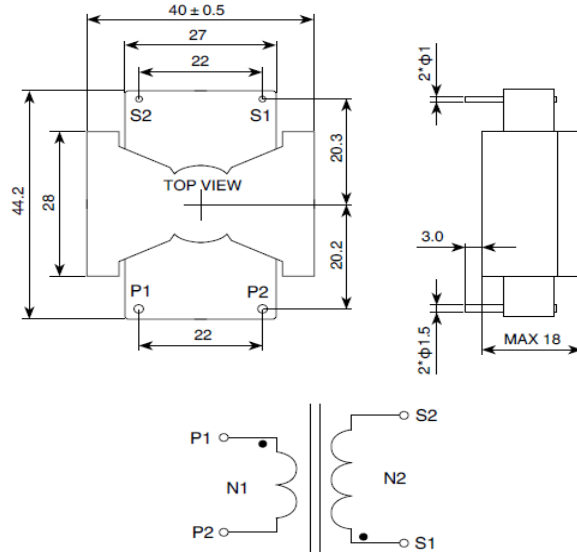
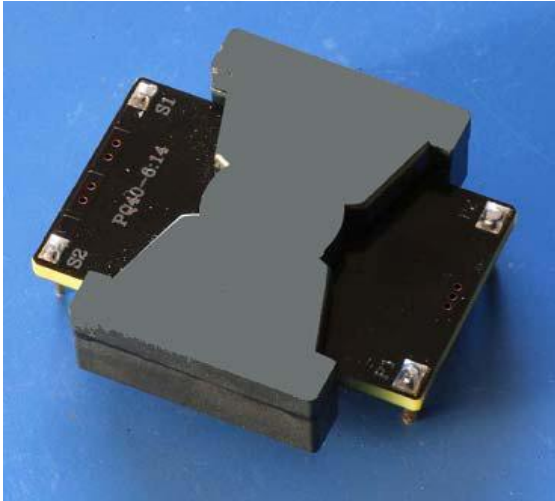


GHSPQ40 1000W

Standard: GB/T14860和Q/MM162-2013



Features and applications:

- PQ40 core
- Application: DC/DC
- Output power: 1000W MAX
- Working frequency: 100KHz - 200KHz
- Outer dimension: 44.5mm×40.5mm×18mm (MAX)
- HI-POT (P-S): 1.5KVDC
- Working temperature: -40 °C - 85 °C
- Weight : ≤ 75g

Data:

Part No.	Turn Ratio	Pri N1			Sec N2 & N3	Note
	N1:N2	Inductance (μH)	Leakage Ind. (μH) MAX	DCR (mΩ) MAX	DCR (mΩ) MAX	
GHSPQ40T201	6:14	200.0 MIN	0.5	10.5	38.0	/