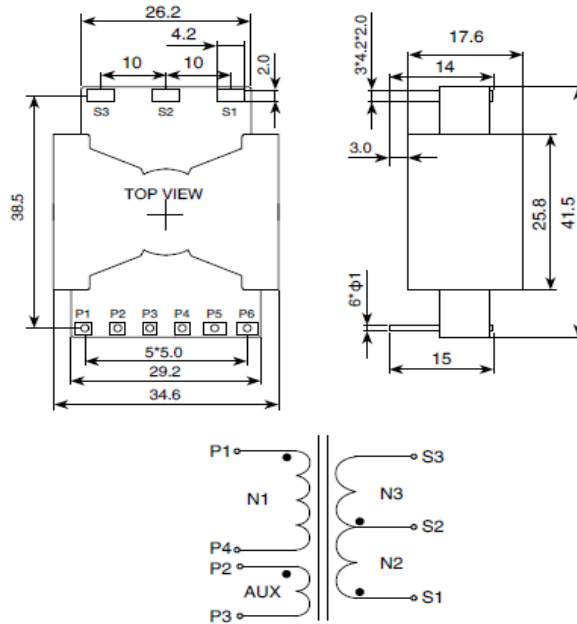
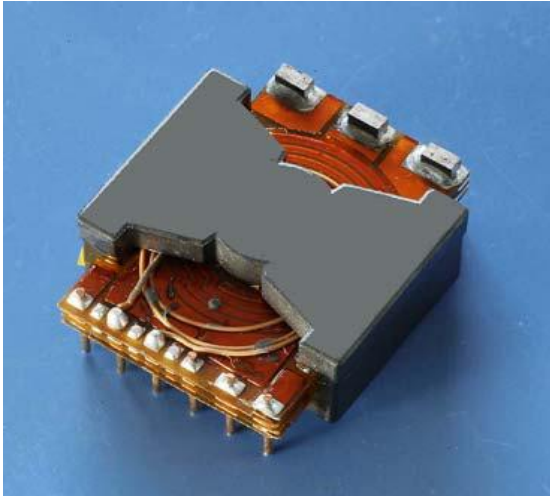


GHSPQ35 600W

Standard: GB/T14860和Q/MM162-2013



Features and applications:

- PQ35 core
- Application: AC/DC with auxiliary winding
- Output power: 600W MAX
- Working frequency: 200KHz - 400KHz
- Outer dimension: 35.5mm×41.5mm×18mm (MAX)
- HI-POT (P-S): 3.0KVDC
- Working temperature: -40 °C - 85 °C
- Weight : ≤ 80g

Data:

Part No.	Turn Ratio	Pri N1 (P1-P4)			Sec N2 & N3	AUX
	N1:N2:AUX	Inductance (μH)	Leakage Ind. (μH) MAX	DCR (mΩ) MAX	DCR (mΩ) MAX	Pins
GHSPQ35T401	40:(1+1):3	1000±10%	6.0	310.0	0.2 - 0.2	P3-P4