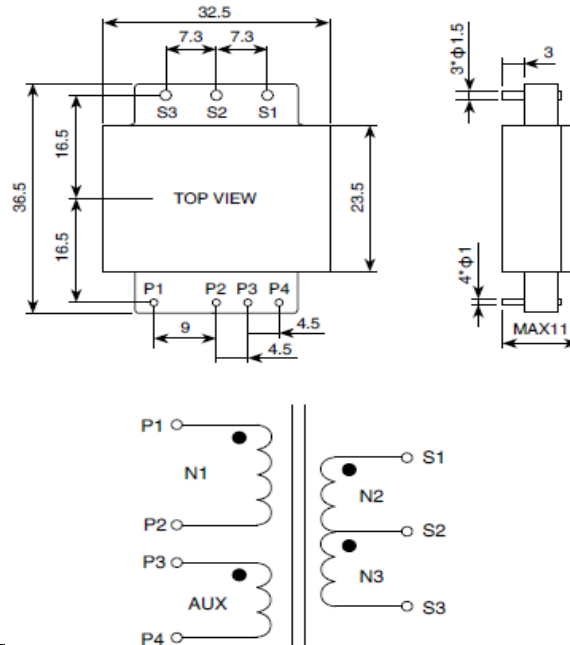
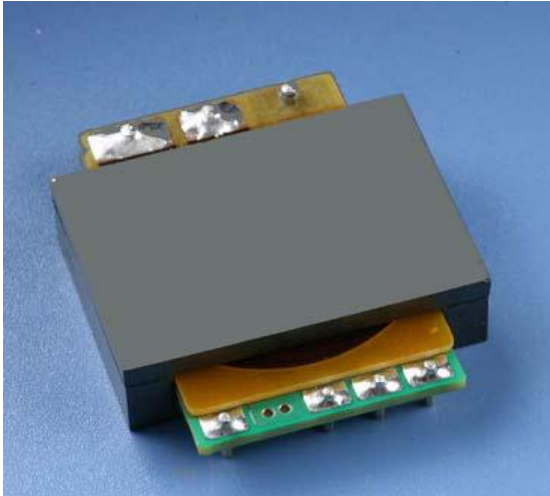


# GHSER32 500W

Standard: GB/T14860和Q/MM162-2013



### Features and applications:

- ERI32 core
- Application: AC/DC with auxiliary winding
- Output power: 500W MAX
- Working frequency: 200KHz - 300KHz
- Outer dimension: 36.5mm×32.5mm×11mm (MAX)
- HI-POT (P-S): 3.0KVDC
- Working temperature: -40 °C - 85 °C
- Weight : ≤ 42.5g

### Data:

| Part No.    | Turn Ratio | Pri N1 (P1-P2)  |                       |              | Sec N2 & N3  | AUX   |
|-------------|------------|-----------------|-----------------------|--------------|--------------|-------|
|             | N1:N2:AUX  | Inductance (μH) | Leakage Ind. (μH) MAX | DCR (mΩ) MAX | DCR (mΩ) MAX | Pins  |
| GHSER32T301 | 12:(1+1):1 | 480.0 MIN       | 1.5                   | 75.0         | 0.46 - 0.46  | P3-P4 |
| GHSER32T302 | 12:(2+2):1 | 480.0 MIN       | 1.5                   | 75.0         | 1.0 - 1.0    | P3-P4 |
| GHSER32T303 | 7:(2+2):N  | 250.0 MIN       | 5.0                   | 8.6          | 1.3 - 1.3    |       |