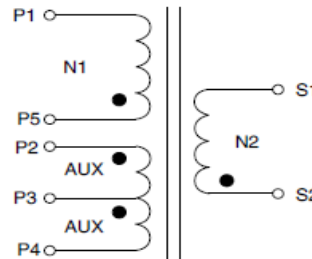
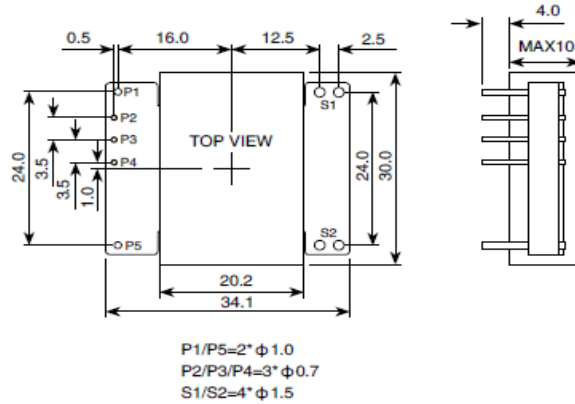
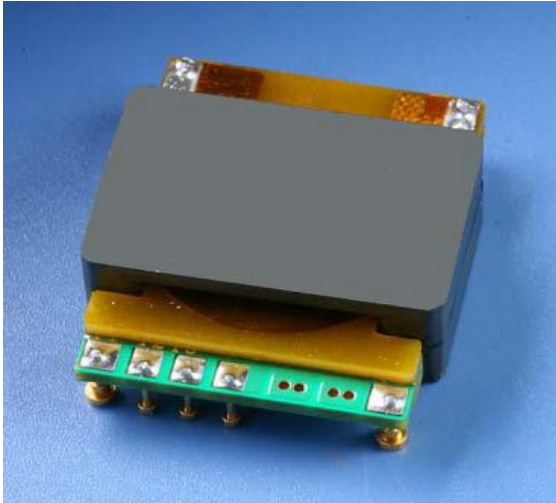


GHSER30 300W

Standard: GB/T14860和Q/MM162-2013



Features and applications:

- ERI30 core
- Application: AC/DC with auxiliary winding
- Output power: 300W MAX
- Working frequency: 200KHz - 300KHz
- Outer dimension: 34.5mm×30.5mm×10mm (MAX)
- HI-POT (P-S): 3.0KVDC
- Working temperature: -40 °C - 85 °C
- Weight : ≤ 42.5g

Data:

Part No.	Turn Ratio	Pri N1 (P1-P5)			Sec N2 (S1-S2)	AUX
	N1:N2:AUX	Inductance (μH)	Leakage Ind. (μH) MAX	DCR (mΩ) MAX	DCR (mΩ) MAX	Pins
GHSER30T201	18:3:(2+18)	1100.0 MIN	3.2	106.0	1.0	P2-P3/2T P3-P4/18T
GHSER30T301	3:8:N	30.0 MIN	0.5	2.0	13.0	