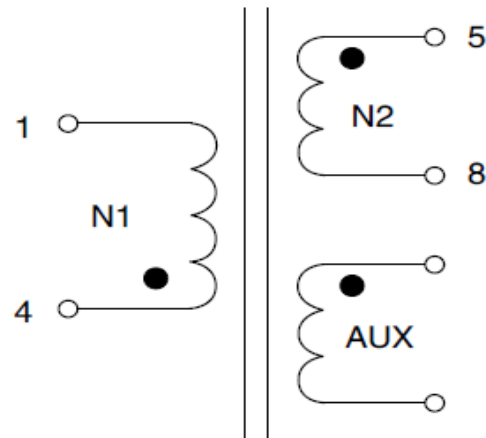
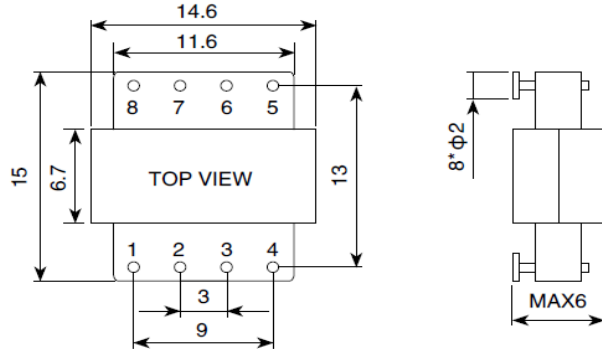
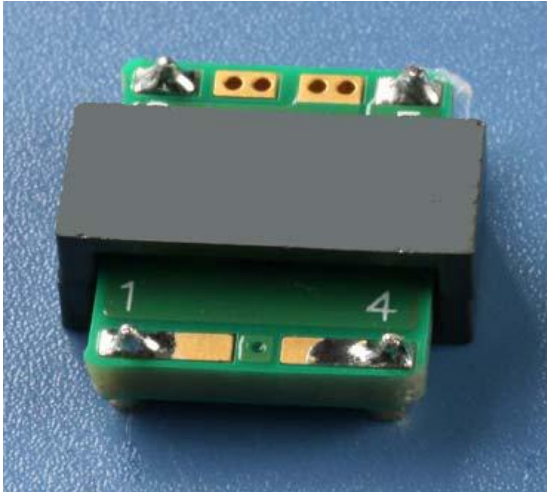


# GHSER14 20W

Standard: GB/T14860和Q/MM162-2013



### Features and applications:

- ERI14 planar core, multilayer PCB
- Application as DC/DC small power module
- Output power: 20W
- Working frequency: 250KHz~500KHz
- Dimensions: 15mm×14.6mm×6mm (MAX)
- HI-POT (P-S): 1.5KVDC
- Working temperature: -40 °C - 85 °C
- Auxiliary winding available
- Weight: ≤ 3.5g

### Data:

Part No.	Turn Ratio	Pri N1 (1-4)			Sec N2 (5-8)	AUX
	N1:N2:AUX	Inductance (μH)	Leakage Ind. (μH) MAX	DCR (mΩ) MAX	DCR (mΩ) MAX	Pins
GHSER14T201	9:3:N	65.0 MIN	0.3	59.0	7.5	
GHSER14T202	9:4:N	65.0 MIN	0.3	59.0	9.0	
GHSER14T203	9:5:N	65.0 MIN	0.3	59.0	13.5	
GHSER14T301	4:5:2	15.0±15%	0.2	8.7	12.5	6-7
GHSER14T302	11:3:13	20.0±15%	0.5	99.0	7.5	2-3
GHSER14T303	11:5:13	20.0±15%	0.5	99.0	20.0	2-3