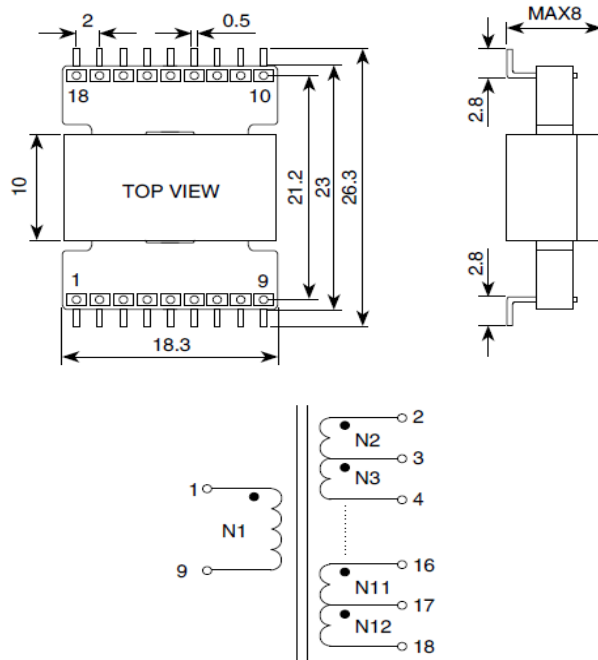


# GHSEI18 50W

Standard: GB/T14860和Q/MM162-2013



### Features and applications:

- EI18 planar core
- Application as DC/DC
- Output power: 50W MAX
- Working frequency: 200KHz - 500KHz
- Outer dimension: 26.3mm×18.3mm×8mm (MAX)
- HI-POT (P-S): 1.5KVDC
- Working temperature: -40 °C - 85 °C
- Weight : ≤ 9.5g

### Data:

| Part No.    | Turn Ratio    | Pri N1 (1-9)    |                       |              | Sec N1/N12  |
|-------------|---------------|-----------------|-----------------------|--------------|---|
|             | N1:N12        | Inductance (μH) | Leakage Ind. (μH) MAX | DCR (mΩ) MAX | DCR (mΩ) MAX  |
| GHSEI18T501 | 4:4:4:4:4     | 36.0 MIN        | 0.3                   | 12.0         | See detailed specifications; will customize according to requirements |
| GHSEI18T701 | 4:8:8:8:8:4:4 | 36.0 MIN        | 0.3                   | 24.0         |   |
| GHSEI18T502 | 4:6:6:6:6     | 36.0 MIN        | 0.3                   | 18.0         |   |
| GHSEI18T503 | 4:14:14:14:14 | 36.0 MIN        | 0.3                   | 100          |   |
| GHSEI18T504 | 4:(4+4):(4+4) | 36.0 MIN        | 0.3                   | 24           |   |
| GHSEI18T505 | 4:6:6:14:14   | 36.0 MIN        | 0.3                   | 18           |   |